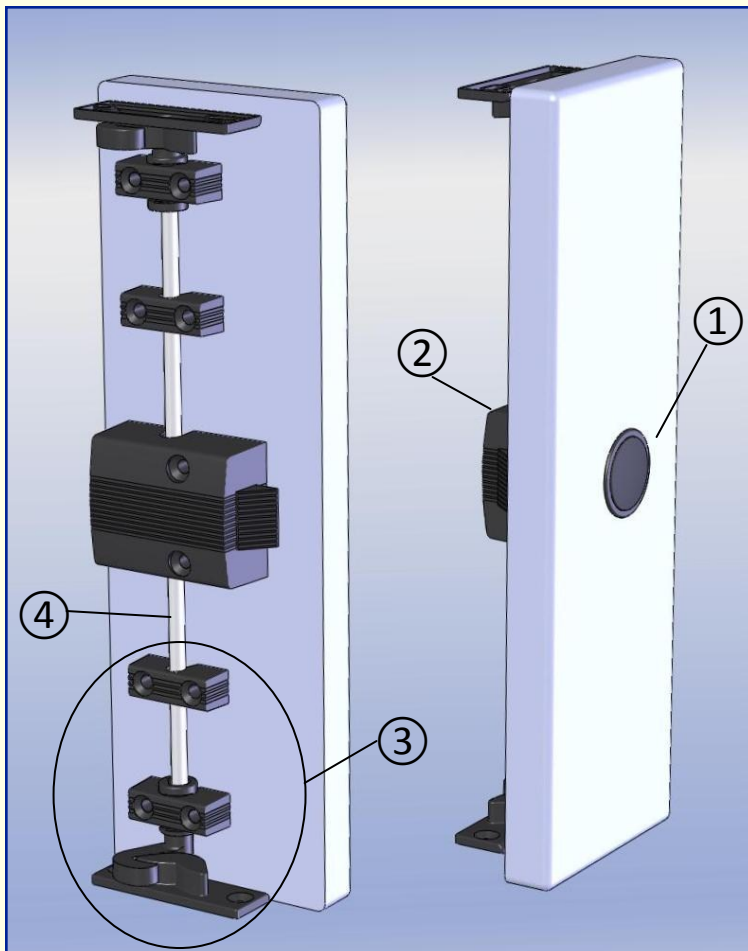


RV CABINET LOCK**Product Information**

- Light weight, beautifully finished latches suitable for elegant RV applications.
- Durable plastic parts with superior holding force to ensure cabinet stays shut in adverse conditions and unexpected bumps.
- Chrome or satin plated plastic knobs.
- Chrome or satin plated plastic trims rings in round or square shapes.
- Easily adjustable knob height to suit door thickness from ½" to ¾".
- Rugged plastic strike plates.



- ① Flush mount push button knob
- ② Use latch with strike plate alone for small cabinets and drawers.
- ③ Optional aluminum bar, brackets and turning latches for tall cabinets or wide overhead bins.
- ④ Aluminum rod lengths to customer specification.

ABOUT WESKO

- One of the World's leading locking system suppliers.
- A Vendor Partner you can count on.
- Established in 1991, our production has grown dramatically.
- We now produce millions of locks annually.
- Over 100 manufacturing customers in the USA, Canada and Europe.
- Highest quality parts and systems in the furniture industry.
- Lowest prices in the global industry.
- Local quality assurance and technical support.
- Quickest turnaround for specialty items, including keying and finishes.

CONTACT US FOR MORE INFORMATION

**4570 Eastgate Parkway
Mississauga Ontario Canada
L4W 3W6**

Tel: 905-629-3227

Fax: 905-629-7293

Email: sales@weskolock.com

www.weskolock.com